

# Western Reitturnier



## Birkenhof Classic

26.+27.05.2018

Schwaikheim



**BIRKENHOF**

Zuschauer sind  
herzlich willkommen!

DEUTSCHE  
QUARTER  
HORSE  
ASSOCIATION

AMERICAN  
QUARTER  
HORSE  
ASSOCIATION

## Sponsorentafel

Birkenhof Performance Horses  
Birkenhoflädle  
Herzallerliebst Hebammenpraxis  
Alpenquarterm  
Christine Geiger  
Claudio Sigle  
Maler Schief  
Reitschule Barbara Buchbender  
Doalittle Dog Styling  
Saddle Shop Trading

Foto Erb  
Familie Linsenmaier  
Mathias Fischer  
AWILOG Transport  
Dold GmbH  
media & brands  
Auto Schott  
ENGEL Biermanufaktur  
Cowboy Headquarters

*Prost  
mein Engel*



# ENGEL

BIERMANUFAKTUR SEIT 1738

## Zeitplan Samstag, 26.05.2018

<b>7:30</b>	<u>2</u>	103200 Two Yr Old Stallions / Entries: 1	
	<u>4</u>	103400 Aged Stallions / Entries: 3	
	<u>6</u>	203600 Amt Stallions Two & Under / Entries: 1	
	<u>7</u>	203700 Amt Stallions Three & Over / Entries: 2	
<b>7:55</b>	<u>12</u>	107700 Aged Geldings / Entries: 3	
	<u>15</u>	207200 Amt Geldings Three & Over / Entries: 7	
	<u>21</u>	407200 Youth Geldings Three & Over / Entries: 2	
<b>8:25</b>	<u>27</u>	105500 Two Yr Old Mares / Entries: 2	
	<u>28</u>	105600 Three Yr Old Mares / Entries: 1	
	<u>29</u>	105700 Aged Mares / Entries: 8	
	<u>30</u>	175000 Performance Halter Mares / Entries: 1	
	<u>31</u>	205100 Amt Mares Two & Under / Entries: 2	
	<u>32</u>	205200 Amt Mares Three & Over / Entries: 8	
	<u>38</u>	405200 Youth Mares Three & Over / Entries: 1	
<b>9:30</b>	<u>43</u>	D120 RO-Open Showmanship At Halter / Entries: 6	Herzallerliebst Hebammenpraxis
	<u>44</u>	212002 L1 Amt Showmanship at Halter / Entries: 8	Herzallerliebst Hebammenpraxis
	<u>45</u>	212000 Amt Showmanship at Halter / Entries: 9	Herzallerliebst Hebammenpraxis
	<u>47</u>	412002 L1 Youth Showmanship at Halter / Entries: 5	Herzallerliebst Hebammenpraxis
	<u>46</u>	412000 Youth Showmanship at Halter / Entries: 3	Herzallerliebst Hebammenpraxis
<b>10:30</b>	<u>48</u>	S008 Trail In Hand / Entries: 10	Doalittle Dog Styling
	<u>49</u>	138004 L1 Trail / Entries: 17	Birkenhoflädle
<b>13:00</b>	<u>50</u>	138000 Trail / Entries: 12	AWILOG Transport
	<u>52</u>	438002 L1 Youth Trail / Entries: 5	MF
	<u>51</u>	438000 Youth Trail / Entries: 3	MF
<b>14:30</b>	<u>53</u>	D340 RO-Open Reining / Entries: 6	Sissi
	<u>54</u>	234002 L1 Amt Reining / Entries: 6	Dold GmbH
	<u>55</u>	234000 Amt Reining / Entries: 2	Saddle Shop Trading
<b>15:40</b>	<u>56</u>	D430 RO-Open Ranch Riding / Entries: 8	Auto Schott
	<u>57</u>	243002 L1 Amt Ranch Riding / Entries: 9	ENGEL Biermanufaktur
	<u>58</u>	243000 Amt Ranch Riding / Entries: 9	Saddle Shop Trading
<b>17:00</b>	<u>59</u>	142004 L1 Western Pleasure / Entries: 9	Birkenhoflädle
	<u>60</u>	142000 Western Pleasure / Entries: 8	Familie Linsenmaier
	<u>62</u>	442002 L1 Youth Western Pleasure / Entries: 3	Saddle Shop Trading
	<u>61</u>	442000 Youth Western Pleasure / Entries: 1	Birkenhof Performance Horses
<b>18:00</b>	<u>64</u>	440002 L1 Youth Western Horsemanship / Entries: 4	ENGEL Biermanufaktur
	<u>63</u>	440000 Youth Western Horsemanship / Entries: 4	Cowboy Headquarters

## Zeitplan Sonntag, 27.05.2018

<b>7:00</b>	<b>72</b>	144004 L1 Hunter Under Saddle / Entries: 9
	<b>74</b>	444002 L1 Youth Hunter Under Saddle / Entries: 2
	<b>73</b>	444000 Youth Hunter Under Saddle / Entries: 2
	<b>75</b>	244002 L1 Amt Hunter Under Saddle / Entries: 3
	<b>76</b>	244000 Amt Hunter Under Saddle / Entries: 6
	<b>77</b>	144000 Hunter Under Saddle / Entries: 9
<b>8:30</b>	<b>79</b>	452002 L1 Youth Hunt Seat Equitation / Entries: 1
	<b>78</b>	452000 Youth Hunt Seat Equitation / Entries: 3
	<b>80</b>	252002 L1 Amt Hunt Seat Equitation / Entries: 4
	<b>81</b>	252000 Amt Hunt Seat Equitation / Entries: 5
<b>9:15</b>	<b>82</b>	136004 L1 Western Riding / Entries: 1
	<b>86</b>	236000 Amt Western Riding / Entries: 2
	<b>87</b>	136000 Western Riding / Entries: 3
<b>9:45</b>	<b>88</b>	DN381 RO-Einsteiger Walk-Trot-Trail / Entries: 10
	<b>89</b>	D380 RO-Open Trail / Entries: 9
	<b>90</b>	238002 L1 Amt Trail / Entries: 8
	<b>91</b>	238000 Amt Trail / Entries: 9
<b>13:00</b>	<b>92</b>	S007 Führzügelklasse / Entries: 1
<b>13:15</b>	<b>94</b>	443002 L1 Youth Ranch Riding / Entries: 1
	<b>93</b>	443000 Youth Ranch Riding / Entries: 2
	<b>95</b>	143004 L1 Ranch Riding / Entries: 4
	<b>96</b>	143000 Ranch Riding / Entries: 6
<b>14:00</b>	<b>98</b>	434002 L1 Youth Reining / Entries: 1
	<b>97</b>	434000 Youth Reining / Entries: 1
	<b>99</b>	134004 L1 Reining / Entries: 3
	<b>100</b>	134000 Reining / Entries: 3
<b>14:45</b>	<b>101</b>	DN421 RO-Einsteiger Walk Trot Pleasure / Entries: 9
	<b>102</b>	D420 RO-Open Western Pleasure / Entries: 4
	<b>103</b>	242002 L1 Amt Western Pleasure / Entries: 3
	<b>104</b>	242000 Amt Western Pleasure / Entries: 5
<b>15:45</b>	<b>105</b>	240002 L1 Amt Western Horsemanship / Entries: 5
	<b>106</b>	240000 Amt Western Horsemanship / Entries: 7
	<b>107</b>	DN401 RO-Einsteiger Walk Trot Horsemanship / Entries: 8
	<b>108</b>	D400 RO-Open Western Horsemanship / Entries: 4
<b>17:00</b>	<b>269</b>	180 Quali Ranch Riding / Entries: 16
<b>17:45</b>	<b>270</b>	181 Quali Ranch Trail / Entries: 9

Birkenhof Performance Horses  
Birkenhoflädle  
ENGEL Biermanufaktur  
Saddle Shop Trading  
Familie Linsemaier  
Dold GmbH  
Foto Erb  
ENGEL Biermanufaktur  
Birkenhoflädle  
Auto Schott  
Birkenhof Performance Horses  
ENGEL Biermanufaktur  
Saddle Shop Trading  
Familie Linsenmaier  
media & brands  
Birkenhof Performance Horses  
ENGEL Biermanufaktur  
Reitschule Buchbender  
Foto Erb  
Foto Erb  
Birkenhof Performance Horses  
Foto Erb  
Claudio Sigle  
Claudio Sigle  
Birkenhof Performance Horses  
ENGEL Biermanufaktur  
Maler Schief  
Alpenquarter  
Birkenhoflädle  
Saddle Shop Trading  
ENGEL Biermanufaktur  
Foto Erb  
media & brands  
Cowboy Headquarter  
ENGEL Biermanufaktur  
AWILOG Transport

## Teilnehmer Birkenhof Classic

<u>1</u>	Cry Me Cat	Widlicky, Philipp	Schorndorf
<u>2</u>	I Know My Daddy	Falaster, Melanie	Schwaebisch Hall
<u>3</u>	Hot Bandit Chica	Buchbender, Barbara	Affalterbach
<u>4</u>	Ima Barbee Lena	Buchbender, Barbara	Affalterbach
<u>5</u>	Lookin Grayt	Huster, Jessica	Reutlingen
<u>6</u>	PJ HurricaneWhizkey	Huster, Jessica	Reutlingen
<u>7</u>	Savvy Spiderlady	Schneider, Celina	Urbach
<u>8</u>	HQ Zippos Commander	Leich, Dunja	Heiningen
<u>9</u>	My Bingo Boggies NG	Hechler, Alisha Tara	Schorndorf
<u>10</u>	OT Flower Power	Schindler, Sarah	Neuenstein
<u>11</u>	Kings Leap Year Boy	Schuller, Tamina	Schwaebisch Gmuend
<u>13</u>	The One That I Want	Franzini, Bianca	Stuttgart
<u>14</u>	Joes Tuff Jac	Fritz, Juergen	Kaisersbach
<u>15</u>	CM Hollywood Gold	Friz, Maren	Goeppingen-Holzheim
<u>17</u>	My Rockstar Romance	Gwinner, Baerbel	Oberderdingen
<u>19</u>	Freckled Jay Bars	Utescheny, Gottfried	Oberderdingen
<u>21</u>	Kings Holidoc	Muendlein, Lena	Alfdorf
<u>22</u>	Big Gun In Hollywood	Nekula, Jenny	Welzheim
<u>23</u>	Just A Lot Of Chrome	Geiger, Lisa	Rudersberg
<u>24</u>	Makin My Own Way	Reicherter, Sabrina	St. Johann
<u>25</u>	Gimli	Wiedmann, Sandra	Wangen
<u>26</u>	Heza Movin Star	Heinle, Larissa	Althuette
<u>28</u>	Aint Gonna Dance	Obermueller, Nina B	Welzheim
<u>29</u>	LQ Special Chilli Pepper	Linsenmaier, Sara	Kernen Im Remstal
<u>30</u>	Josie (2007)	Kirschner-Kurz, Diana	Althuette
<u>32</u>	Cody Lil Gold Mine	Mundt, Klaus	Waiblingen
<u>33</u>	Impressive Hot Doc	Noack, Anika	Echterdingen
<u>34</u>	Jokers Jack N Coke	Klafke, Elisabeth	Schorndorf
<u>35</u>	Niftys Smoken Jack	Fischer, Matthias	Deizisau
<u>36</u>	Still Got The Blues	Gall, Jeannine	Rosenfeld
<u>37</u>	Ropin Starlight	Andress, Benjamin	Winnenden
<u>38</u>	Capo	Herre, Felicitas	Baltmannsweiler
<u>39</u>	Showlution	Haederle, Alexandra	Goeppingen
<u>40</u>	Tabanos Peponita	Langer, Walter	Hawangen
<u>41</u>	The Green Version	Kirmaier, Amrei Sophia	Hawangen
<u>42</u>	Krymsunizer	Lebermann, Maike	Bopfingen
<u>43</u>	Glos Einstein Delmas	Heinrich, Jasmin	Alfdorf
<u>44</u>	SL Titianialena	Seybold, Janine	Michelfeld
<u>46</u>	Mik (Fritz)	Gaertig, Diana	Asperg
<u>47</u>	Whiz Superior	Wurst, Stephanie	Welzheim
<u>48</u>	EHSANNONSREDVINTAGE	Rau, Sophia	Kaisersbach
<u>49</u>	BMS Spooks Icon	Steeg, Cyra	Stuttgart
<u>51</u>	Jacs Lik Dun It	Strothmann, Lorena	Kuenzelsau
<u>52</u>	Gun Socks Choice	Berger, Johanna	Allmersbach

53	EH Oneof Lenasfinest	Resch, Gabriele	Welzheim
55	May Be Hot	Dorfmeister, Franziska	Dachau
56	Oxygin	Dorfmeister, Franziska	Dachau
57	DJ Barbietrain	Jovanovic, Tanja	Stuttgart
58	Roosters Lil Sana	Habboub, Lisa-Marie	Welzheim
59	Your Key To My Heart	Meier-Bidmon, Gesa	Uhingen
60	ILikeToDanze	Meier-Bidmon, Gesa	Uhingen
62	Its A Blue Honor	Meier-Bidmon, Gesa	Uhingen
63	Little Blue Birdy	Stauss, Marlene	Koengen
64	MB Cool Lookin	Stauss, Marlene	Koengen
65	Higgie Baby Boy	Jacobs, Larissa	Fuerth
66	Lovely Good	Jacobs, Larissa	Fuerth
67	My Blue Sunshine	Woitaschek, Silke	Remshalden
68	Bow Chica Wow Wow	Spaeth, Stephanie	Bad Duerrheim
70	Aint Entertaininblue	Heiter, Barbara	Tuningen
72	Jonny Dear Lena	Goegel, LeeAnn	Winnenden
73	Hidalgo Sugar Peppy	Goegel, Carmen	Winnenden
74	Jumping Smart	Kurowski, Melanie	Auenwald
76	Good Time Blues	Celine, Buss	Esslingen
78	Doc Kitty Doll	Celine, Buss	Esslingen
79	BH Sunday Fox	Reckels, Sophie	Schorndorf
80	Bambi Star Jet	Ernemann, Dunja	Remseck
81	Winnie	Endrejat, Julia	Bietigheim-Bissingen
83	TC Penny Pine	Scheffel, Claudia	Welzheim
84	Amabel In New York	Reinhardt, Miram	Dudenhofen
85	Amazing Grace	Gerlach, Julia	Ludwigsburg
86	Undeniable A Krymsun	Eberhardt, Alexander	Langenau
87	Shes Of Age	Eberhardt, Alexander	Langenau
88	Watchme Im Styled	Eberhardt, Lea Marie	Langenau
89	Addicting Wisely	Eberhardt, Alexander	Langenau
90	Josie	Petsch, Lisa	Winnenden
91	RS Hermes Olena	Goeggel, Anna	Gammertingen
92	Michel	Weiss, Stefanie	Moeglingen
93	Mister Dear Dazzlin	Rommel, Pia	Neckarweiningen
94	A Sparkling Mouseman	Heinzelmann, Philipp	Marbach-Rielingshaus
95	SL Coeuridium	Ludwig, Sascha	Schorndorf
96	TL Smart Gena	Ludwig, Lasse Milan	Schorndorf
97	Dressed Blue Melody	Wissenbach, Nicola	Unterdiebach
98	Dreamfire Revolution	Wissenbach, Nicola	Unterdiebach
99	Cats Pretty Surprise	Atzinger, Kimberley	Waldbrunn
100	Great Jac Cody	Benz, Samantha	Schorndorf
101	Lady Radical	Heinzmann, Eva	Iggingen
102	The Famous Mocca	Heinle, Sophia	Gaildorf
103	Mr Marley Dun It	Vasilic, Sarah	Wildberg
104	Pistols Iceman	Mueller, Inge	Sulz

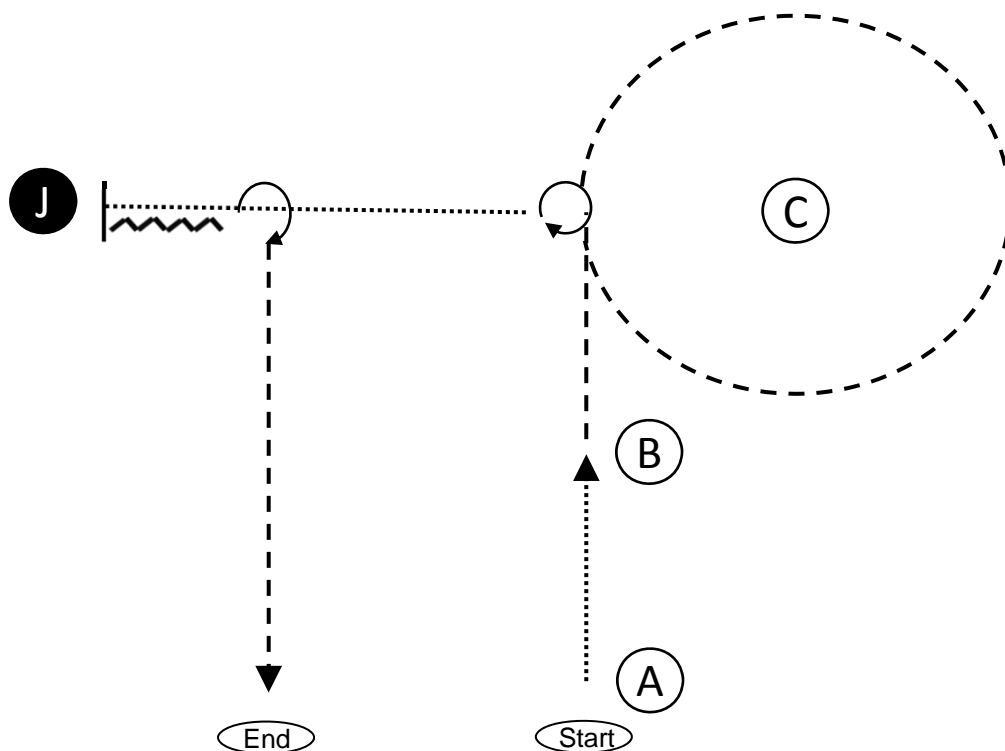
Sponsorentafel

**Auto  
Schott**



# Showmanship at Halter Amateur & Youth

Pattern Design by SR



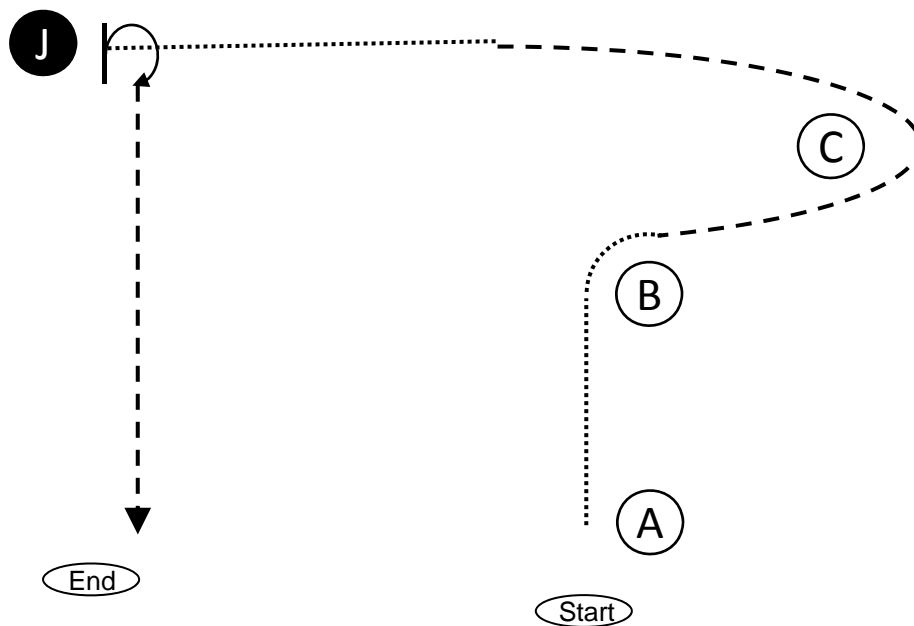
- |  |  |
|--|--|
| 1. Be ready at A, walk to B              | 5. After dismissal, back up one horse length, turn 270 right |
| 2. Trot around C                         | 6. Trot to exit  |
| 3. Stop, 1 3/4 turn right, walk to Judge |  |
| 4. Set up for inspection                 |  |

.....	Walk		Stop	⊗	Marker
- - -	Jog/Trot	~~~~~	Back Up	●	Judge
- - -	Extended Trot	∪	Turn	🌸	Flowers
—	Lope	↔	Side-pass	🌿	Plants
—	Extended Lope	X	Lead Change		



# Showmanship at Halter L1 Amateur, L1 Youth, Rasseoffen

Pattern Design by SR

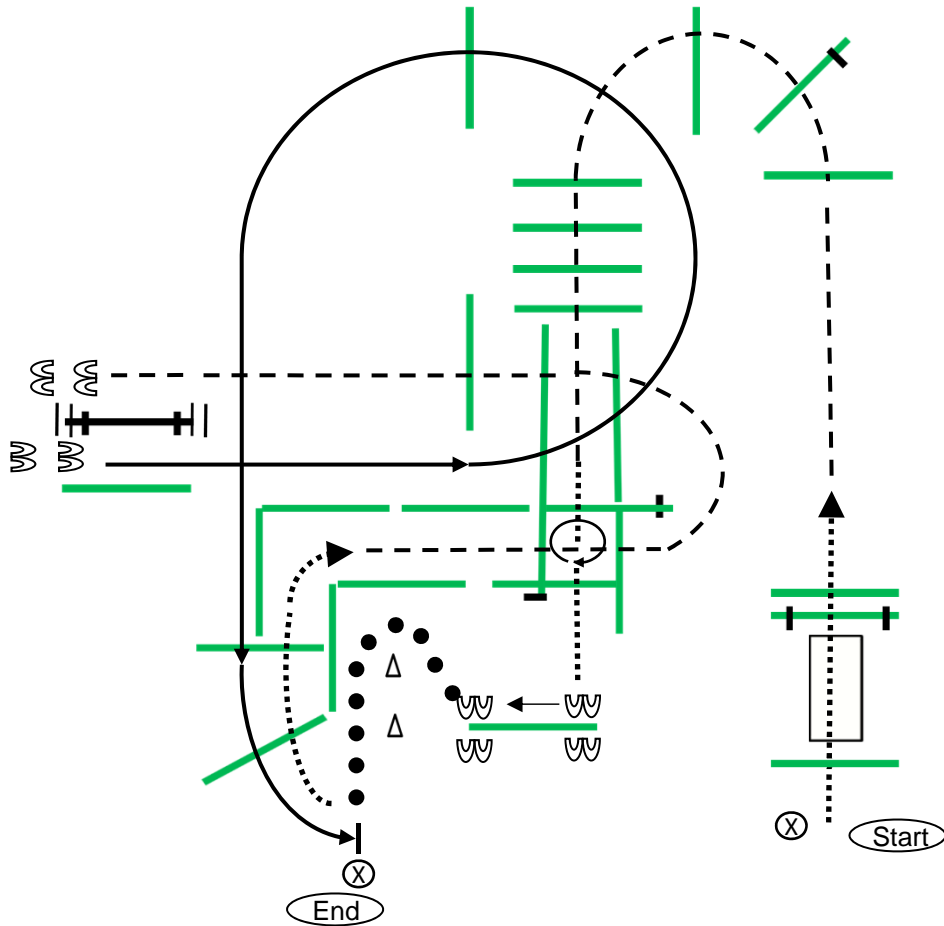


- |  |                                    |
|--|------------------------------------|
| 1. Be ready at A, walk to and around B | 4. After dismissal, turn 270 right |
| 2. Trot around C, walk to Judge        | 5. Trot to exit                    |
| 3. Set up for inspection               |                                    |

.....	Walk		Stop	⊗	Marker
- - -	Jog/Trot	~~~~~	Back Up	●	Judge
- - -	Extended Trot	∪	Turn	🌸	Flowers
— — —	Lope	↔	Side-pass	🌿	Plants
— — —	Extended Lope	X	Lead Change		

# Trail Open, Amateur & Youth

Pattern Design by SR

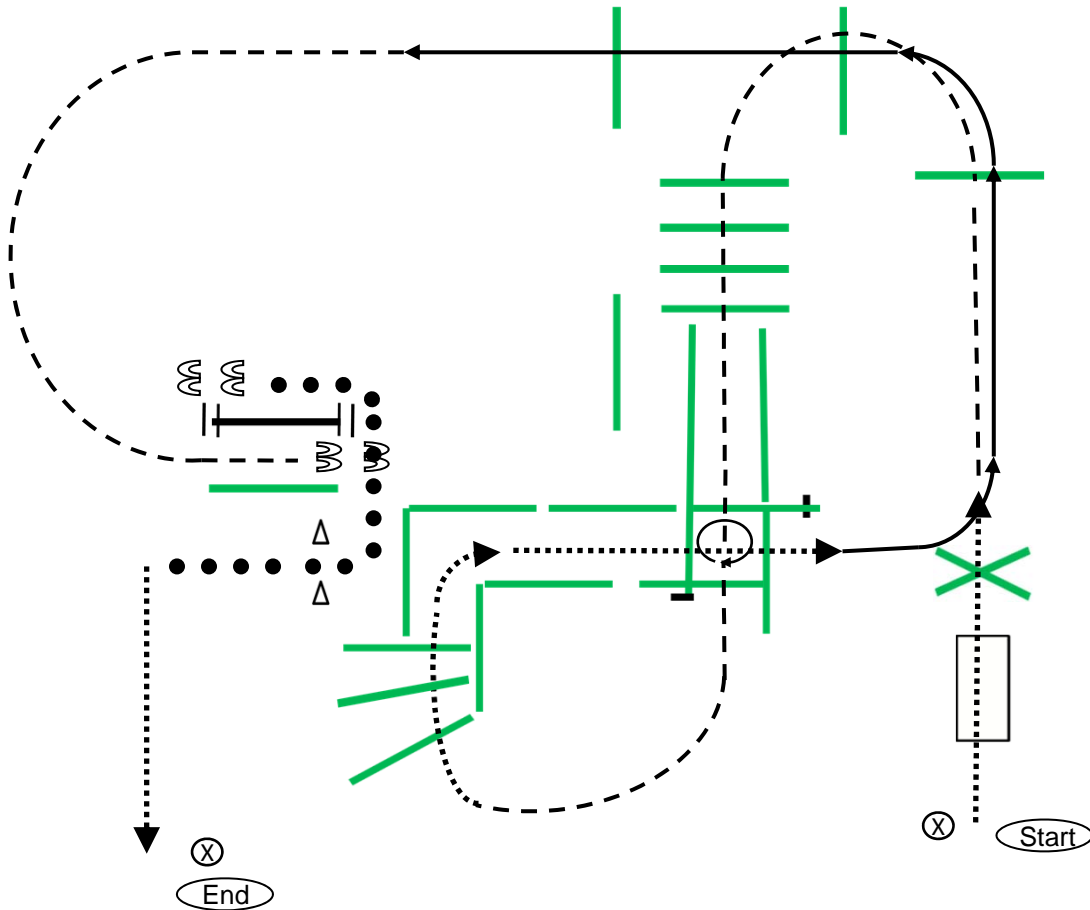


- |   |  |
|---|--|
| 1. Walk over log, bridge, walk overs          | 6. Walk overs                              |
| 2. Jog overs                                  | 7. Jog over logs to gate                   |
| 3. Walk into box, turn 360 each way, walk out | 8. Gate left hand, walk over elevated pole |
| 4. Stop over log, side pass right             | 9. Lope overs left lead                    |
| 5. Back around cones                          |  |

.....	Walk		Stop	⊗	Marker
- - -	Jog/Trot	~~~~~	Back Up	Ⓜ	Judge
— — —	Extended Trot	∪	Turn	🌸	Flowers
———	Lope	↔	Side-pass	🌿	Plants
————	Extended Lope	X	Lead Change	—	Log

# Trail L1 Open, L1 Amateur, L1 Youth & Rasseoffen

Pattern Design by SR



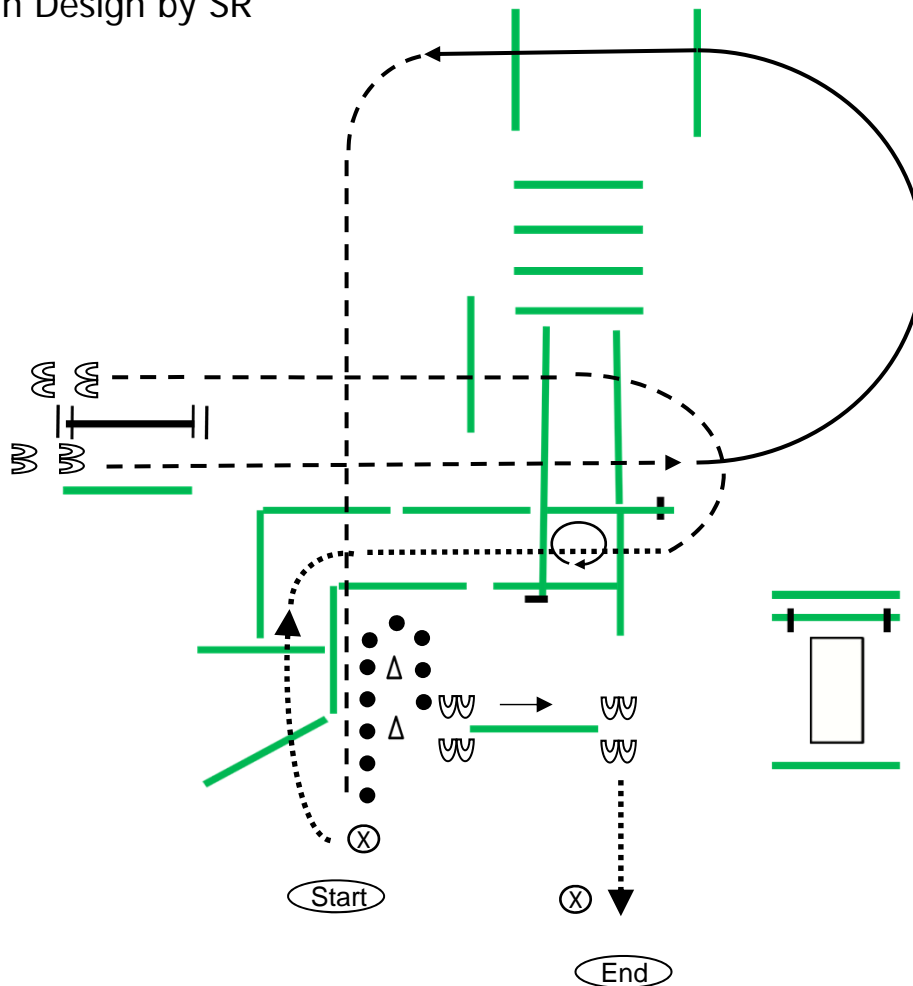
- |                                 |  |
|---------------------------------|--|
| 1. Walk bridge and crossed logs | 5. Lope over left lead, jog to gate                |
| 2. Jog over                     | 6. Gate left hand push                             |
| 3. Walk over and into box       | 7. Back up around gate and through cones, walk out |
| 4. Turn 360 right, walk out     |  |

..... Walk	Stop	⊗ Marker
- - - Jog/Trot	~~~~~ Back Up	● Judge
— — Extended Trot	∪ Turn	🌸 Flowers
— Lope	↔ Side-pass	🌿 Plants
— Extended Lope	X Lead Change	— Log

# Trail Walk-Trot-Trail, Trail in Hand

Bei Walk-Trot & Trail  
in Hand:  
Trab statt Galopp

Pattern Design by SR

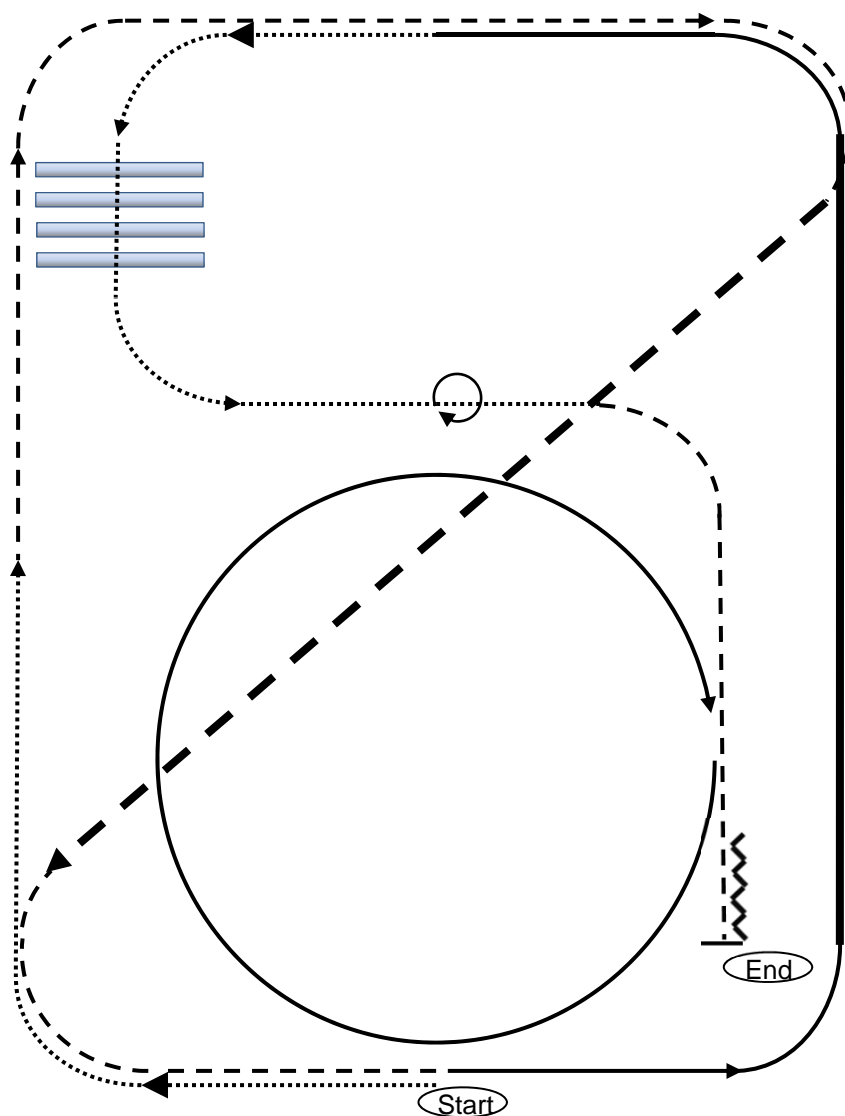


1. Walk overs into box
2. Box turn 360 right, walk out
3. Jog overs to gate
4. Gate left hand
5. Jog, lope overs
6. Jog overs
7. Back up around cones
8. Side pass left

.....	Walk		Stop	⊗	Marker
- - -	Jog/Trot	~~~~~	Back Up	●	Judge
— — —	Extended Trot	∪	Turn	🌸	Flowers
———	Lope	↔	Side-pass	🌿	Plants
————	Extended Lope	X	Lead Change	—	Log

# Ranch Riding L1 Open , L1 Amateur, L1 Youth & Rasseoffen

Pattern Design by SR

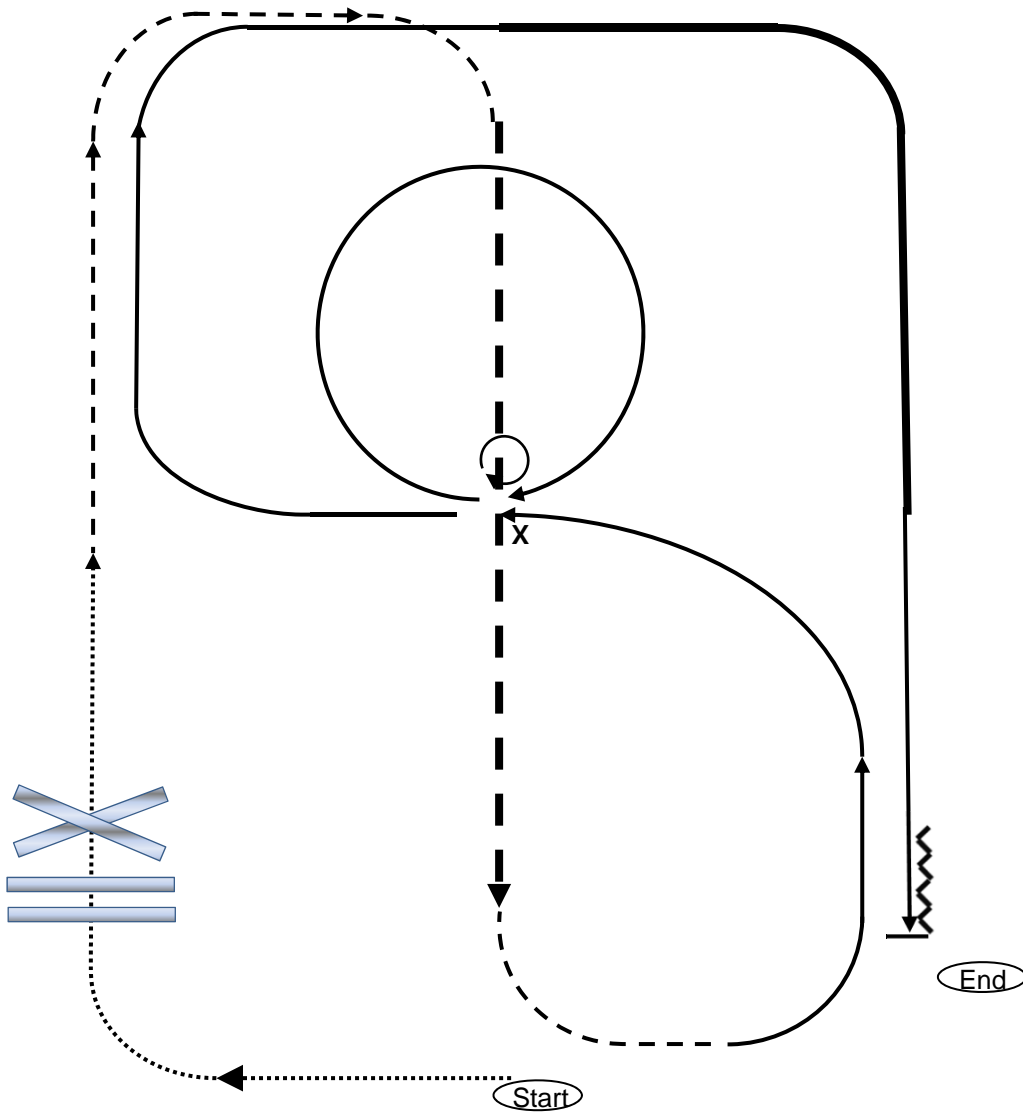


- |  |                           |
|--|---------------------------|
| 1. Walk                                | 8. Trot                   |
| 2. Trot                                | 9. Lope circle right lead |
| 3. Ext. trot, trot                     | 10. Transition to trot    |
| 4. Lope left lead                      | 11. Stop, back up         |
| 5. Ext. lope, collect to lope          |                           |
| 6. Transition to walk, walk over poles |                           |
| 7. Turn 360 right                      |                           |

.....	Walk		Stop	⊗	Marker
- - -	Jog/Trot	~~~~~	Back Up	●	Judge
- - -	Extended Trot	∪	Turn	🌻🌻🌻	Flowers
—	Lope	↔	Side-pass	🌻	Plants
—	Extended Lope	X	Lead Change	—	Log

# Ranch Riding Open, Amateur & Youth

Pattern Design by SR

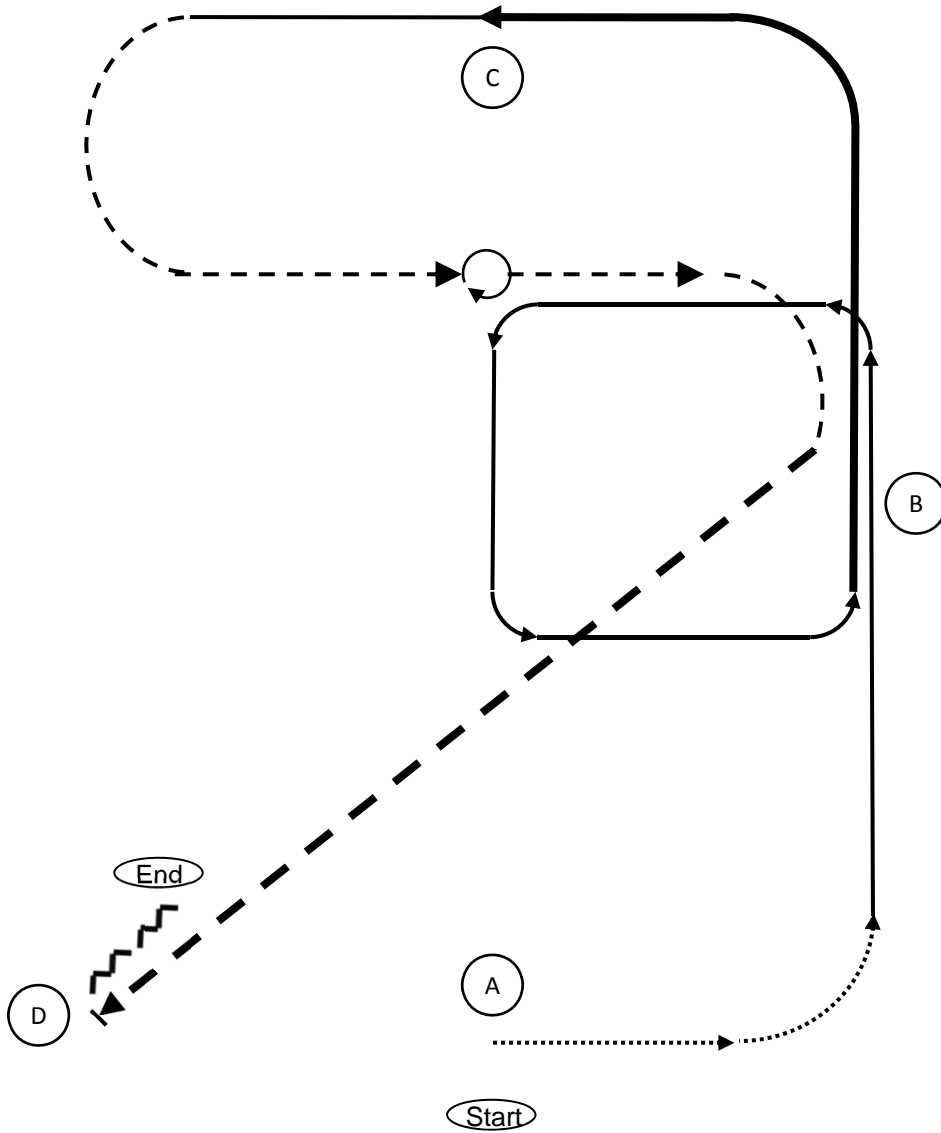


- |                                    |   |
|------------------------------------|---|
| 1. Walk, walk over logs            | 6. Small circle right lead, stop          |
| 2. Trot                            | 7. Turn 360 right                         |
| 3. Ext. trot, trot                 | 8. Lope right lead                        |
| 4. Lope left lead                  | 9. Extended lope, collect to regular lope |
| 5. Change leads (flying or simple) | 10. Stop, back up                         |

.....	Walk		Stop	⊗	Marker
- - -	Jog/Trot	~~~~~	Back Up	Ⓜ	Judge
- - -	Extended Trot	∪	Turn	🌻	Flowers
—	Lope	↔	Side-pass	🌿	Plants
—	Extended Lope	X	Lead Change	▬	Log

# Western Horsemanship Amateur & Youth

Pattern Design by SR



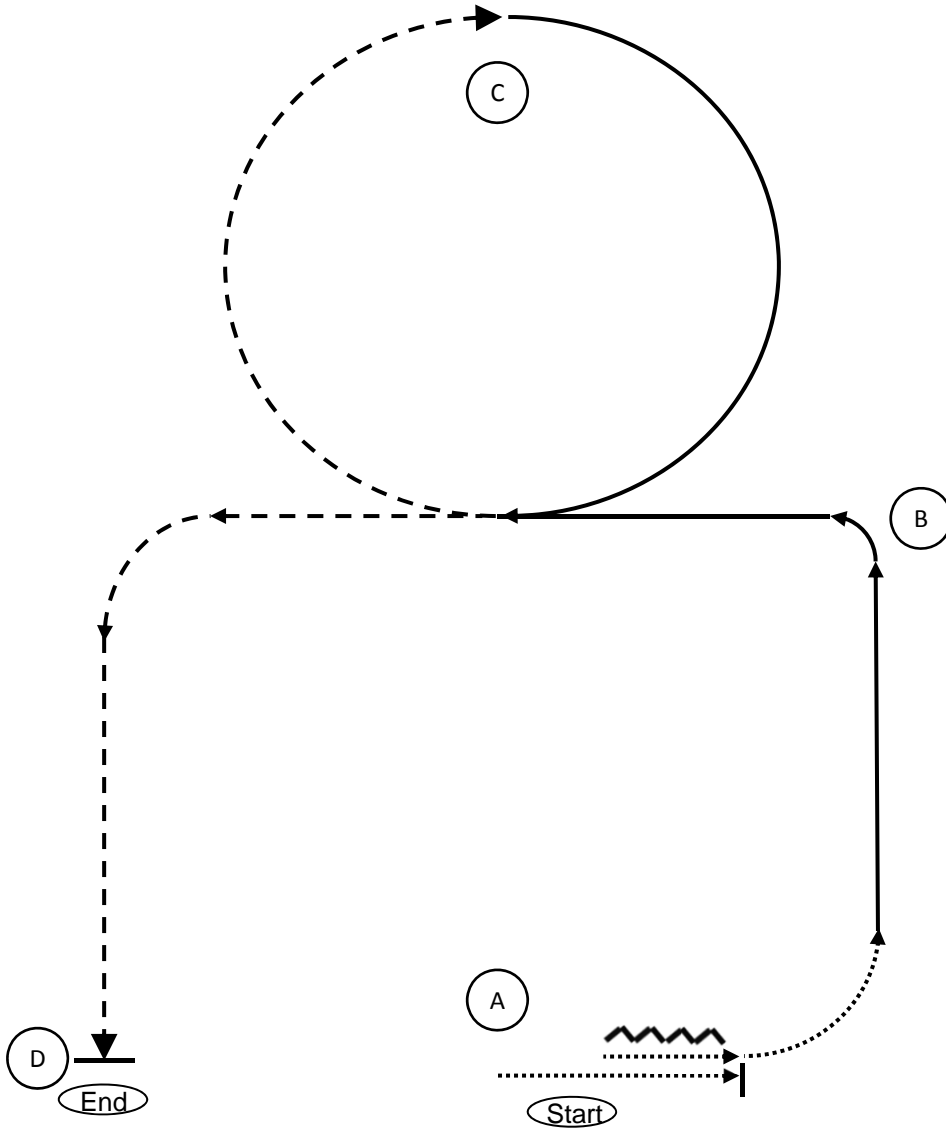
1. Walk, lope left lead to and past B, lope a square
2. Extend the lope to C, collect to regular lope
3. Jog to middle, stop, 360 turn either way
4. Jog, extended jog to D
5. Stop, back up 7 steps

.....	Walk		Stop	⊗	Marker
- - -	Jog/Trot	~~~~~	Back Up	Ⓜ	Judge
— — —	Extended Trot	∪	Turn	🌸	Flowers
———	Lope	↔	Side-pass	🌿	Plants
————	Extended Lope	X	Lead Change		

# Western Horsemanship L1 Amateur, L1 Youth Walk-Trot & Rasseoffen

Pattern Design by SR

Bei Walk-Trot:  
Trab statt Galopp



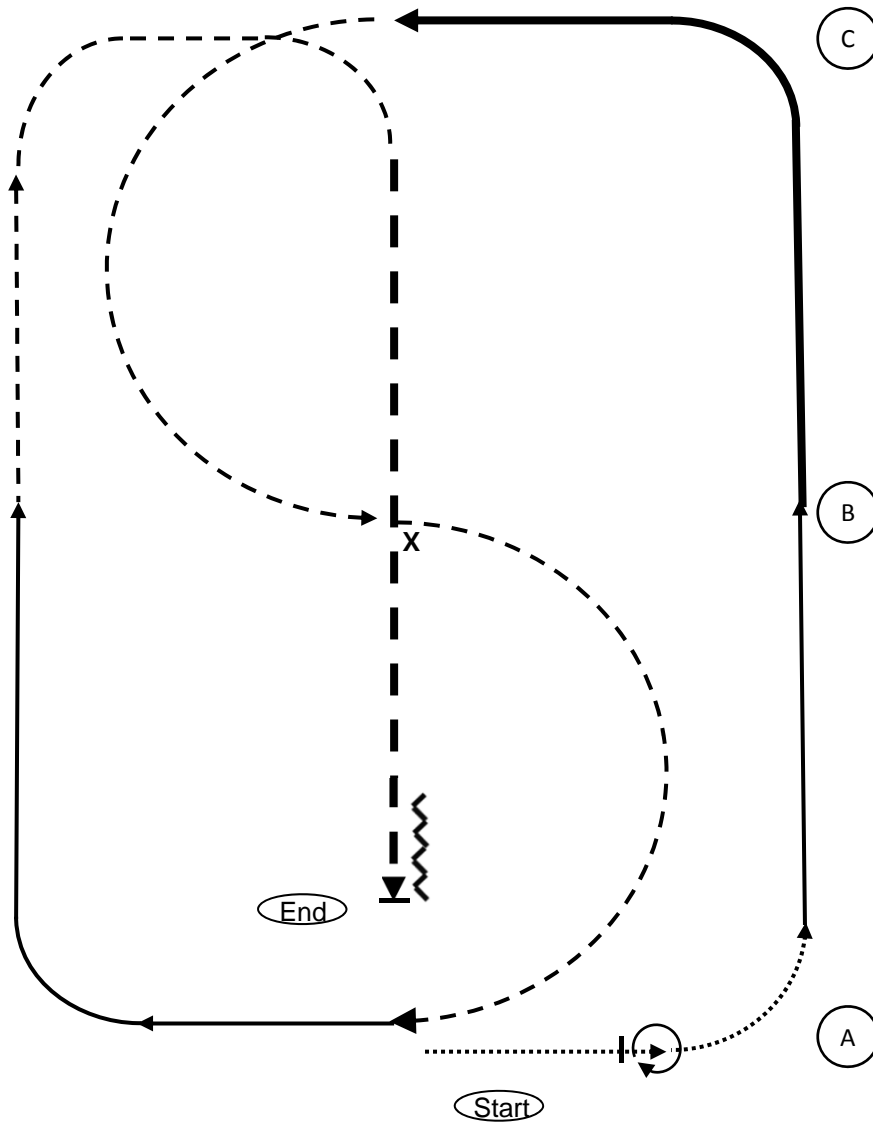
1. Walk towards A, stop, back up 7 steps, continue to walk
2. Lope left lead, corner at B
3. Jog half a circle
4. Lope half a circle right lead at C
5. Jog to D, stop

.....	Walk		Stop	⊗	Marker
- - -	Jog/Trot	~~~~~	Back Up	Ⓜ	Judge
— — —	Extended Trot	∪	Turn	🌸	Flowers
———	Lope	↔	Side-pass	🌿	Plants
————	Extended Lope	X	Lead Change		



# Hunt Seat Equitation (all classes)

Pattern Design by SR



1. Walk towards A, stop, turn on haunches 360 to right, walk
2. Canter left lead, hand gallop
3. Posting trot, change of diagonals at X
4. Canter right lead, sitting trot
5. Extended trot, stop, back up one horse length

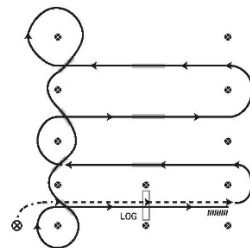
.....	Walk		Stop	⊗	Marker
- - -	Jog/Trot	~~~~~	Back Up	Ⓜ	Judge
- - -	Extended Trot	∪	Turn	🌻	Flowers
—	Lope	↔	Side-pass	🌻	Plants
—	Extended Lope	X	Lead Change		

# Patternverzeichnis Birkenhof Classic

<b>Reining</b>	<b>Open</b>	<b>#8</b>
	<b>Amateur &amp; Youth</b>	<b>#6</b>
	<b>L1 Open &amp; L1 Amateur</b>	<b>#4</b>
	<b>L1 Youth &amp; Rasseoffen</b>	<b>#4</b>

<b>Western Riding</b>	<b>Alle Klassen</b>	<b>#2</b>
	<b>L1 Open (Green)</b>	<b>#2 Green</b>

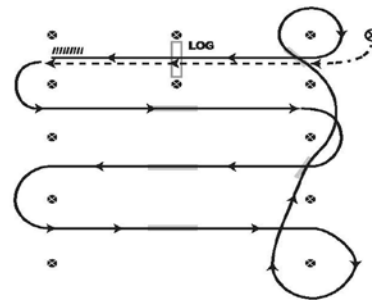
WESTERN RIDING PATTERN 2



⊗ START  
○ LINE  
LEAD CHANGING AREA  
WALK - - - - -  
JOG - - - - -  
LOPE - - - - -

1. Walk, transition to jog, jog over leg
2. Transition to the lope on the left lead
3. First crossing change
4. Second crossing change
5. Third crossing change
6. Circle & first line change
7. Second line change
8. Third line change
9. Fourth line change & circle
10. Lope over leg
11. Lope, stop & back

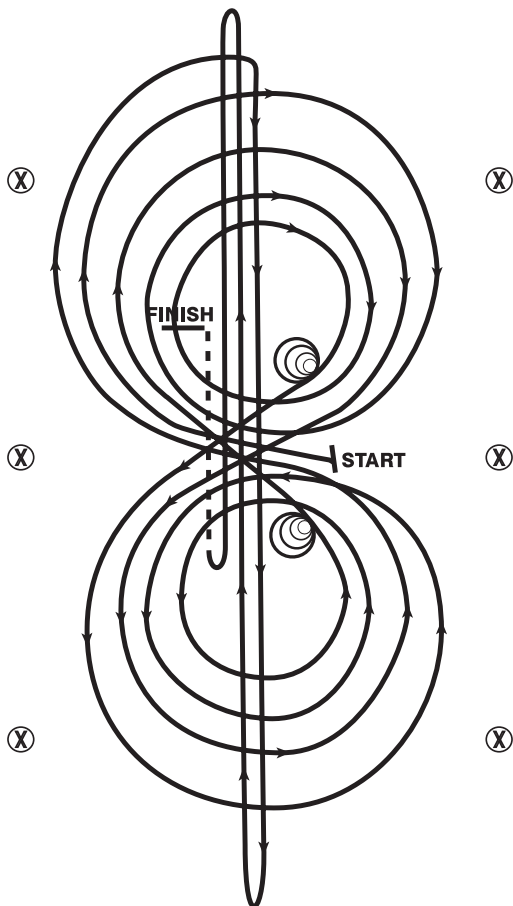
GREEN WESTERN RIDING PATTERN 2



⊗ START  
○ LINE  
LEAD CHANGING AREA  
WALK - - - - -  
JOG - - - - -  
LOPE - - - - -

1. Walk, transition to jog, jog over leg
2. Transition to left lead lope
3. First crossing change
4. Second crossing change
5. Third crossing change
6. Circle & first line change
7. Second line change & circle
8. Lope over leg
9. Stop & back

## REINING PATTERN 4

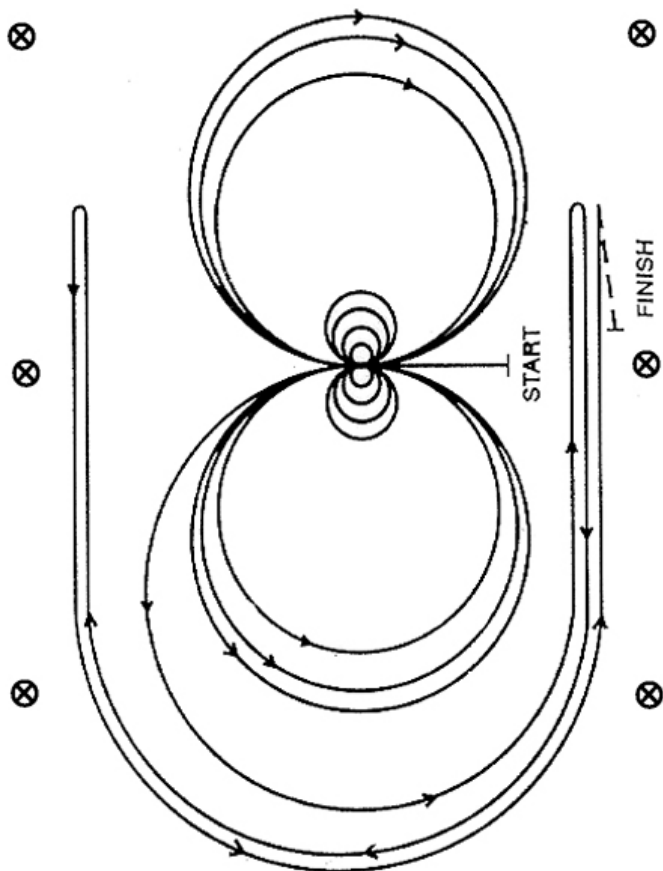


Horse must walk or stop prior to starting pattern.

Beginning at the center of the arena facing the left wall or fence.

1. Beginning on the right lead, complete three circles to the right: the first two circles large and fast; the third circle small and slow. Stop at the center of the arena.
2. Complete four spins to the right. Hesitate.
3. Beginning on the left lead, complete three circles to the left: the first two circles large and fast; the third circle small and slow. Stop at the center of the arena.
4. Complete four spins to the left. Hesitate.
5. Beginning on the right lead, run a large fast circle to the right, change leads at the center of the arena, run a large fast circle to the left, and change leads at the center of the arena.
6. Continue around previous circle to the right. At the top of the circle, run down the middle to the far end of the arena past the end marker and do a right rollback - no hesitation.
7. Run up the middle to the opposite end of the arena past the end marker and do a left rollback - no hesitation.
8. Run past the center marker and do a sliding stop. Back up to the center of the arena or at least 10 feet (3 meters). Hesitate to demonstrate completion of the pattern. Rider may dismount and the drop bridle to the designated judge.

## REINING PATTERN 6



Horse must walk or stop prior to starting pattern.

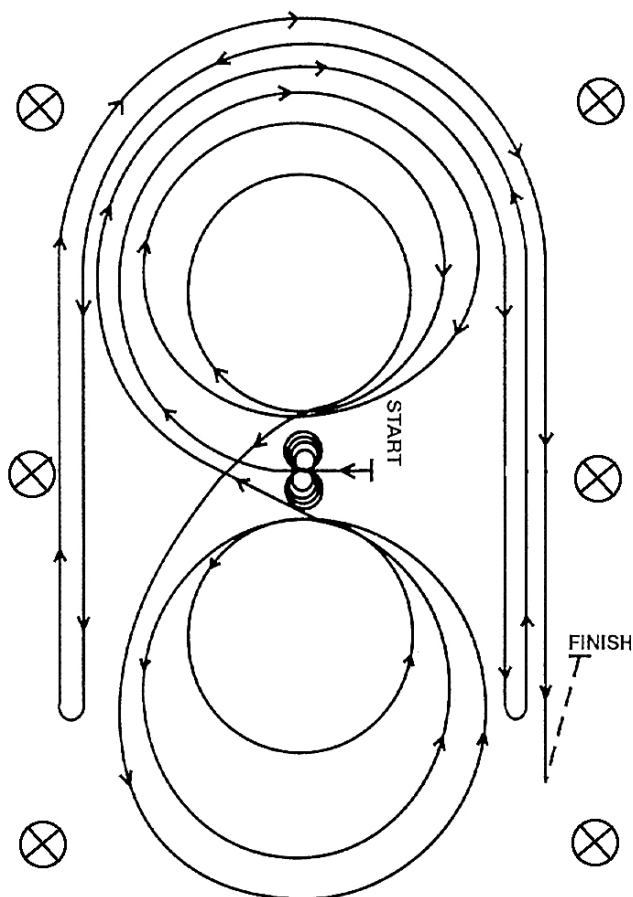
Beginning at the center of the arena facing the left wall or fence.

1. Complete four spins to the right.
2. Complete four spins to the left. Hesitate.
3. Beginning on the left lead, complete three circles to the left: the first two circles large and fast; the third circle small and slow. Change leads at the center of the arena.
4. Complete three circles to the right: the first two circles large and fast; the third circle small and slow. Change leads at the center of the arena.
5. Begin a large circle to the left but do not close this circle. Run up the right side of the arena past the center marker and do a right rollback at least 20 feet (6 meters) from the wall or fence - no hesitation.
6. Continue back around previous circle but do not close this circle. Run up the left side of the arena past the center marker and do a left rollback at least 20 feet (6 meters) from the wall or fence - no hesitation.
7. Continue back around previous circle but do not close this circle. Run up the right side of the arena past the center marker and do a sliding stop at least 20 feet (6 meters) from the wall or fence. Back up at least 10 feet (3 meters).

Hesitate to demonstrate completion of the pattern.

Rider may dismount and the drop bridle to the designated judge.

## REINING PATTERN 8



Horse must walk or stop prior to starting pattern.

Beginning at the center of the arena facing the left wall or fence.

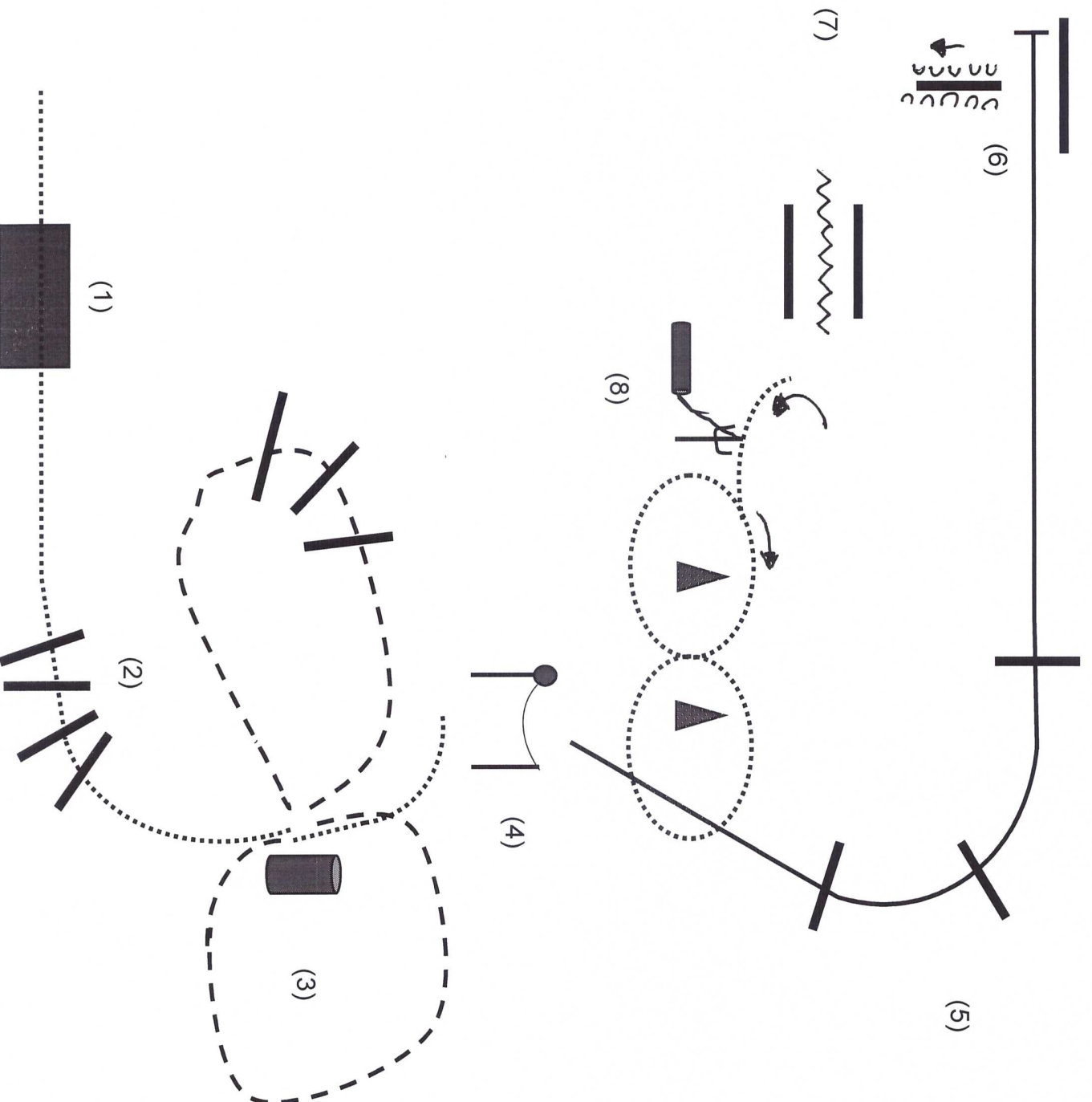
1. Complete four spins to the left.
2. Complete four spins to the right. Hesitate.
3. Beginning on the right lead, complete three circles to the right: the first circle large and fast; the second circle small and slow; the third circle large and fast. Change leads at the center of the arena.
4. Complete three circles to the left: the first circle large and fast; the second circle small and slow; the third circle large and fast. Change leads at the center of the arena.
5. Begin a large circle to the right but do not close this circle. Run straight down the right side of the arena past the center marker and do a left roll-back at least 20 feet (6 meters) from the wall or fence - no hesitation.
6. Continue back around the previous circle but do not close this circle. Run down the left side of the arena past the center marker and do a right roll-back at least 20 feet (6 meters) from the wall or fence - no hesitation.
7. Continue back around the previous circle but do not close this circle. Run down the right side of the arena past the center marker and do a sliding stop at least 20 feet (6 meters) from the wall or fence. Back up at least 10 feet.

Hesitate to demonstrate completion of the pattern.

Rider may dismount and the drop bridle to the designated judge.

# Ranch Trail ~~XXXXXXXXXXXX~~

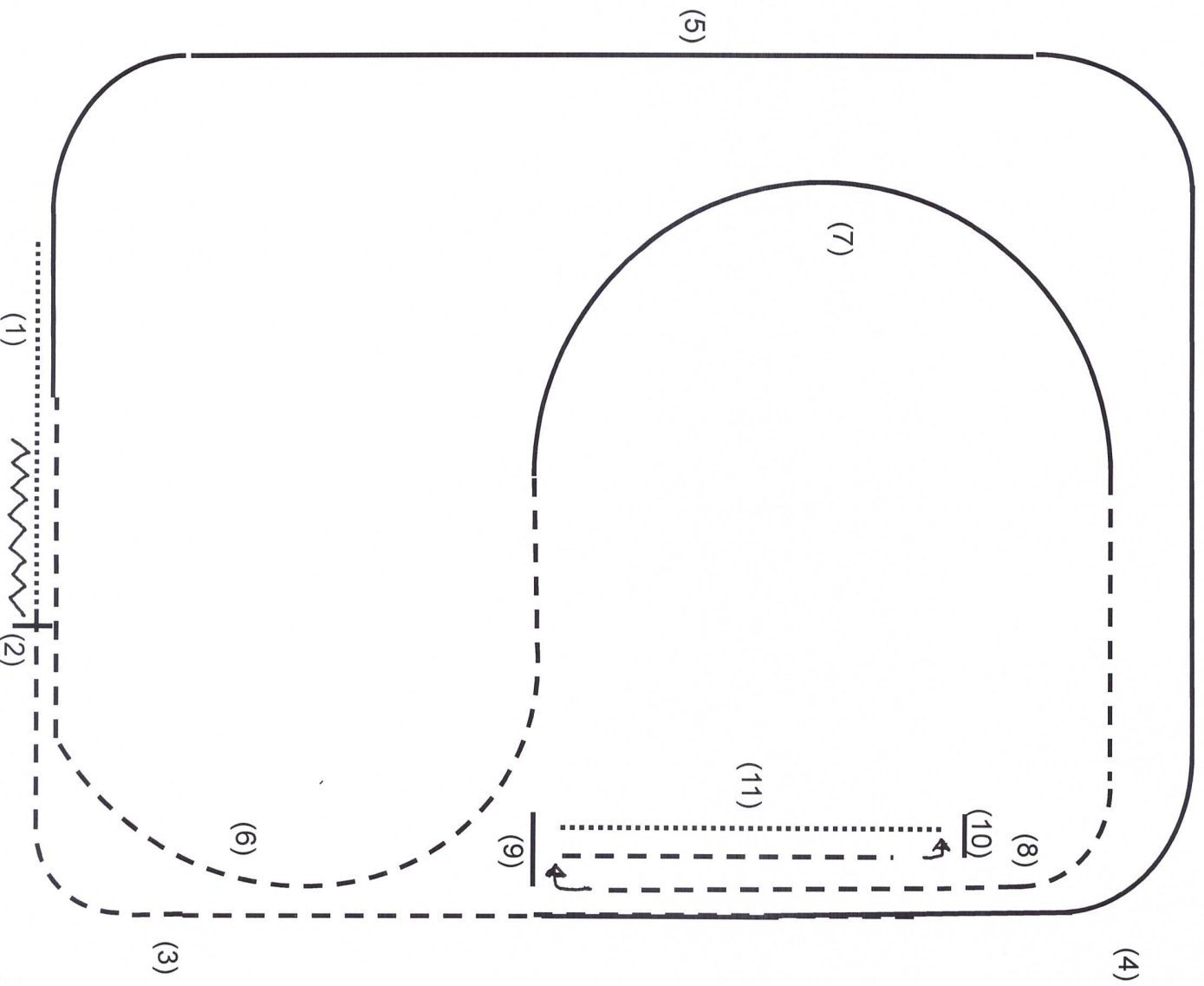
## Qualifikation Animal Messe Jackpot



- (1) Brücke
- (2) Schrittstangen
- (3) Gegenstand aufnehmen, Trab 8, Gegenstand ablegen
- (4) Tor, rechte Hand
- (5) Linksgalopp über Stangen
- (6) Seitwärts
- (7) Rückwärts
- (8) Stamm ziehen 8

# VRH Ranch Riding ~~XXX~~

## Qualifikation Animal Messe Jackpot



- (1) Schritt
- (2) Stopp + Rückwärts
- (3) Trab
- (4) Linksgalopp
- (5) Verstärkter Galopp
- (6) verstärkter Trab
- (7) Rechtsgalopp
- (8) Trab
- (9) Anhalten + 180 Grad rechts
- (10) Trab + 180 Grad links
- (11) Schritt

Sponsorentafel



**BIRKENHOF**  
PERFORMANCE HORSES



**REITSCHULE**  
BUCHBENDER



**BIRKENHOF**  
LÄDLE & DESTILLATE



media & brands

